



# D.I. ROOF SEAMERS

*Roof Seaming. Easier.™*

## CONTRACTOR SERIES ROOF SEAMER

### 4 STATION MACHINE

- FOR FIELD USE -

**PLEASE DISTRIBUTE TO THE ERECTION CREW**

**UNITED STATES – HOME OFFICE**

915 HIGHWAY 45  
CORINTH, MS 38834

**CANADA – DISTRIBUTION CENTRE**

5676 PROGRESS STREET  
NIAGARA FALLS, ONTARIO L2E 6X8

**Contact us at 1-888-343-0456 or online at [www.diroofseamers.com](http://www.diroofseamers.com)**

**DUE TO THE PROCESS OF CONTINUOUS IMPROVEMENT, THE PRODUCTS AND PROCEDURES IN THIS GUIDE ARE SUBJECT TO CHANGE WITHOUT NOTICE**

GUIDE REVISION INFORMATION				
ACTIVITY	ADDENDUM RELEASE #	PAGES REVISED	RELEASE DATE	AUTHOR
MOST RECENT	#2	Format Change	03/20/2014	JLR
PREVIOUS REVISIONS	#1	Original Release	06/03/2010	JLR



Your Contractor Series Roof Seamer motor requires a 20 amp, 100-125 volt AC power supply. Poor performance and motor damage can result from use of an improper power supply.

***Recommended extension cord size:***

Distance (FT)	0-50	50-100	100-200	200+
Wire Gauge (AWG)	12	10	8	6

**READ THIS FIELD MANUAL COMPLETELY BEFORE  
ANY SEAMING OPERATIONS!  
DEATH OR SERIOUS INJURY MAY OCCUR!**

## **IMPORTANT INFORMATION**

- This Roof Seamer has been setup for your custom panel profile. Never use this machine on any other roof panel or profile. . Never use this machine on any other roof panel or profile and do not use on any material thicker the 24 gauge steel. Do not attempt to alter or modify the machine in any way.
- Follow all safety suggestions and warnings in this manual and posted on the machine itself. Failure to do so may result in serious injury or death.
- Do not attempt to ride the Roof Seamer in any way.
- Your machine comes with a 6 month Manufacturer's Warranty. To purchase an Extended Warranty or to find additional information, visit at [www.diroofseamers.com](http://www.diroofseamers.com)

### **STEP 1**

Before beginning, ensure that the panels are installed correctly and is free of all debris and contaminants such as sand, snow, excessive fluids, sealant/mastic, tools, extensions cords, etc. Also, always attach a safety hook to a tether during any time the seamer is on the roof to prevent it from falling off.

It is recommended to “seam as you go”. In other words, seam the roof panels as they are being installed. This ensures that each panel is kept within module and installed correctly.

### **STEP 2**

Next, place the machine on the hand crimped portion and engage the locking handle by pulling the locking handle out until it locks into place. Note: Ensure that the last set of tooling on the seamer is aligned over the Double Locked portion that was hand crimped. Connect the power supply into the quick-release plug near the handle of the machine and turn the machine on. Run the seamer for about 12” to ensure that you are receiving the desired seaming operation

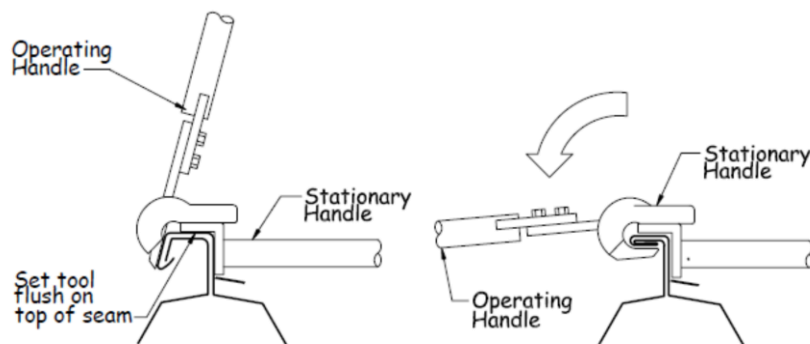


This is a BI-DIRECTIONAL Roof Seamer. Therefore, you may simply place the seamer on the next seam and, after hand crimping, run the machine in the opposite direction of travel. It is important to remember to use extreme caution when reaching the edge of the roof. Stop and disengage the locking handle of the seamer while the wheels remain on the roof panel.

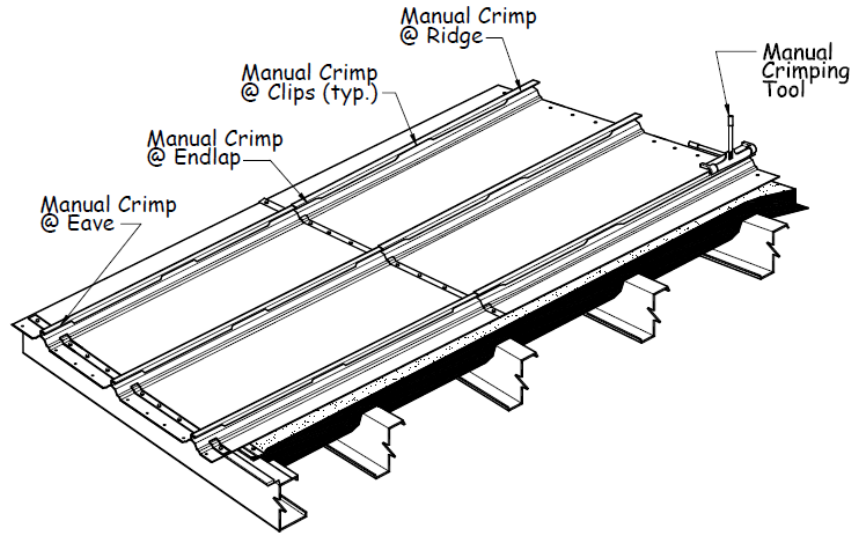
Do not run the seamer within 6" of the end of a panel, beyond the end of a panel or over a previously seamed area.

### STEP 3

If the roof has already been installed, each clip must be hand crimped with a 90° (Single Lock) Hand Crimper to keep each panel safely in place. To begin, hand crimp 8"-10" of each panel at the beginning of the seam with the 90° (Single Lock) Hand Crimpers.

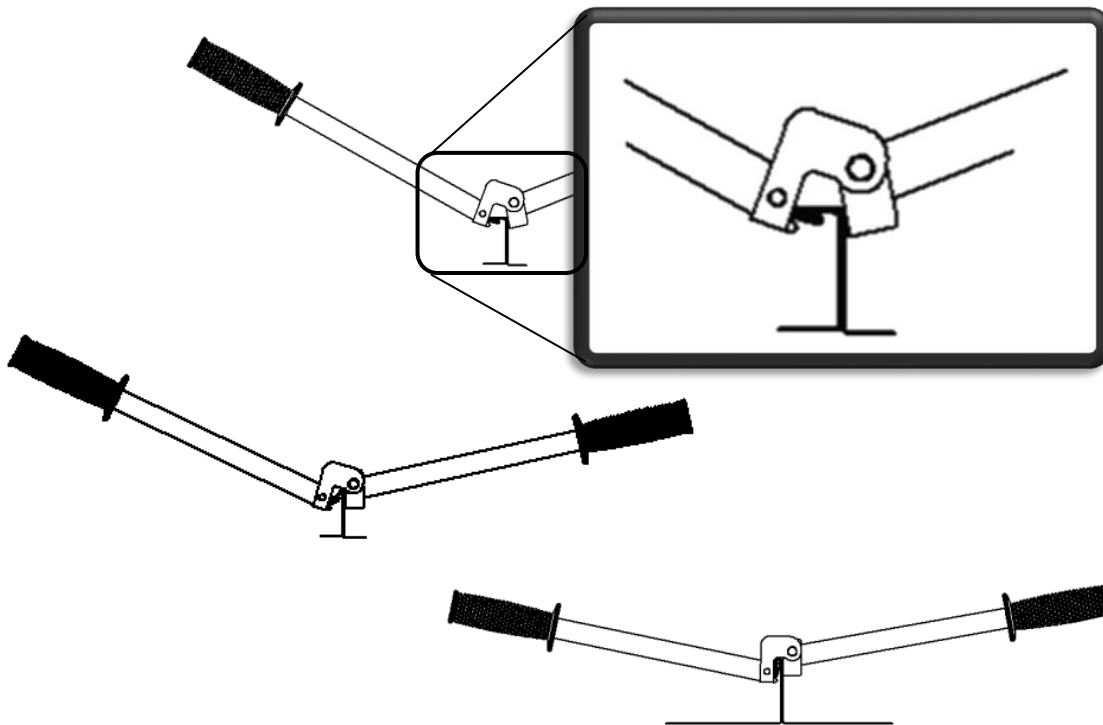


Follow this diagram as a suggestion to crimping locations.



**STEP 4**

Next, hand crimp 5" at the beginning of the seam with the 180° (Double Lock) Hand Crimpers.



Use your hand crimpers to finish any area that the seamer may not be able to complete, such as against a ridge cap, end cap or at a pitch change in the roof.

Note: The Roof Seamer may leave dark forming marks on light colored panels. This is acceptable as long as the paint finish is not damaged. Marks can easily be rubbed off by hand – DO NOT use solvents that will soften or remove paint.

### **MAINTENANCE SUGGESTIONS**

- Clean tooling DAILY with Mineral Spirits, or as needed due to contaminants.
- If you must remove or replace tooling, place ONE DROP of Loctite® 222 (purple) on the threads of the bolt before putting it back into the machine to prevent the bolts from backing out.
- When not in use, always store your Roof Seamer in a dry place to prevent damage to the machine. NEVER operate it in inclement weather such as rain or snow.